

Forest-RB Plus



Features



Safe & Reliable



Scalable for demand



Easy Installation



Modular & Elegant Design



Space Optimization



Indoor Installation

Forest-RB Plus Specs

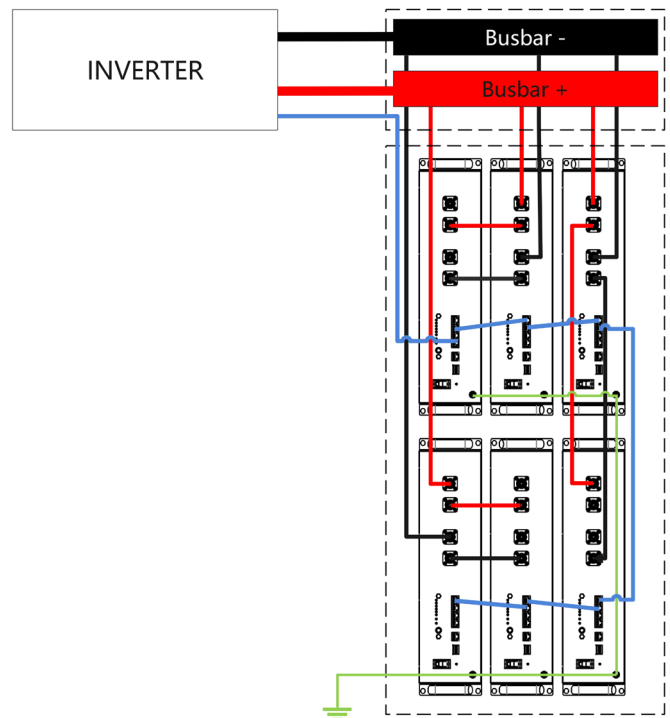
Mechanical

Load capacity	6*E-Box 48100R
Structure	Busbar Integrated
Dimensions(L*W*H)	720*400*1150 mm /28.3*15.7*45.3inch
Weight	68 KG / 149.9 lbs
Mount	Floor mount
Enclosure rating	IP20
Enclosure material	SGCC(Galvanized steel)
Cooling	Natural convection

3D image

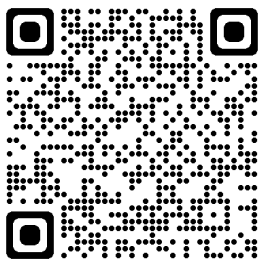


Mechanical wiring



Installation Guide

Scan Me



**Make
the Installation
Easier**

Pytes

Shanghai PYTES Energy Co., Ltd.

Address:NO.3492, Jinqian Road, Fengxian District, Shanghai, China

Email: pytesess@pytesgroup.com

Site: www.pytesess.com